

Pluggable Multi-Pole SPD

FLP12.5-440/3(S)

Class I • Class II • Type 1 • Type 2



Location of Use: Main Distribution Boards
 Network Systems: TN-C
 Mode of Protection: L-PEN
 Surge Ratings: I_{imp} = up to 12,5 kA (10/350 μ s)
 I_n = up to 20 kA (8/20 μ s)
 IEC/EN Category: Class I+II / Type 1+2
 Protective Elements: High Energy MOV
 Housing: Pluggable Design
 Compliance: IEC 61643-11:2011
 EN 61643-11:2012

Technical Data

FLP12.5-440/3(S) 440

IEC Electrical

Nominal AC Voltage (50/60Hz)	U_o / U_n	400 V
Maximum Continuous Operating Voltage (AC)	U_c	440 V
Nominal Discharge Current (8/20 μ s)	I_n	20 kA
Maximum Discharge Current (8/20 μ s)	I_{max}	50 kA
Impulse Discharge Current (10/350 μ s)	I_{imp}	12,5 kA
Specific Energy	W/R	25 kJ / Ω
Charge	Q	5 As
Voltage Protection Level	U_p	2000 V
Residual Current at U_c	I_{PE}	< 0,5 mA
Response Time	t_A	< 25 ns
Back-Up Fuse (max)		160 A gL / gG
Short-Circuit Current Rating (AC)	I_{SCCR}	25 kA
TOV Withstand 5s	U_T	580 V
TOV 120min	U_T	765 V
	mode	Safe Fail
Number of Ports		1

Mechanical & Environmental

Operating Temperature Range	T_a	-40 °F to +158 °F [-40 °C to +70 °C]
Permissible Operating Humidity	RH	5%...95%
Atmospheric pressure and altitude		80k Pa ... 106k Pa / -500 m ... 2000 m
Terminal Screw Torque	M_{max}	39.9 lbf-in [4.5 Nm]
Conductor Cross Section (max)		2 AWG (Solid, Stranded) / 4 AWG (Flexible) 35 mm ² (Solid, Stranded) / 25 mm ² (Flexible)
Mounting		35 mm DIN Rail, EN 60715
Degree of Protection		IP 20 (built-in)
Housing Material		Thermoplastic: Extinguishing Degree UL 94V-0
Thermal Protection		Yes
Operating State / Fault Indication		Green ok / Red defect
Remote Contacts (RC)		Optional
RC Switching Capacity		AC: 250V / 0.5A; DC: 250V / 0.1A; 125V / 0.2A; 75V / 0.5A
RC Conductor Cross Section (max)		16 AWG (Solid) / 1.5 mm ² (Solid)

Order Information

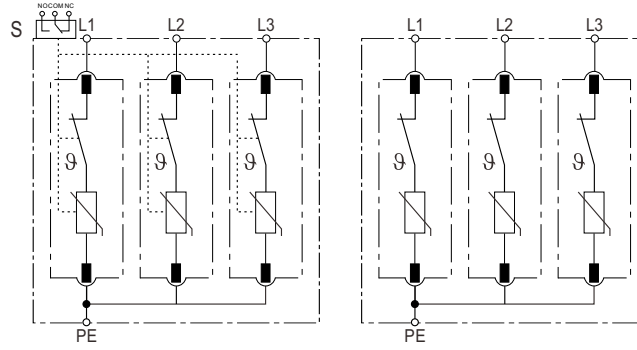
Ordering Code	440
FLP12.5-440/3	1244031
FLP12.5-440/3S (with remote contacts)	1244032
FLP12.5-440/0 (spare modules)	1244001

FLP12.5-440/3(S)

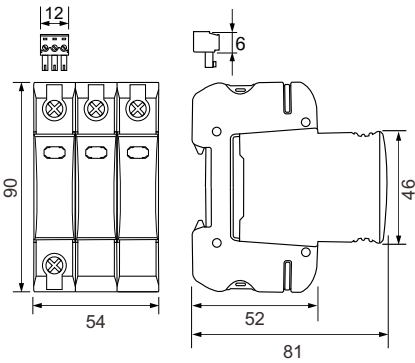
Internal Configuration

Legend

- L Line
- N Neutral
- ⊕/PE Protective Earth
- S Signalling Contacts Optional



Dimensions & Packaging

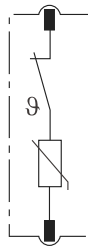


Dimensions & Packaging

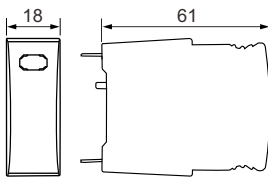
FLP12.5-440/3(S)	440
Single Unit DIN 43880 Dimension	1 CTN
Packaging Dimensions (HxWxL)	[200 × 230 × 330 mm]
Minimum Order Quantity	20 Units

Plug Internal Configuration

FLP12.5-440/0



Dimensions & Packaging



Dimensions & Packaging

FLP12.5-440/0	440
Single Unit DIN 43880 Dimension	1 CTN
Packaging Dimensions (HxWxL)	[270 × 230 × 330 mm]
Minimum Order Quantity	96 Units

Connection Diagram

TN-C (Three-phase, 3+0)

